

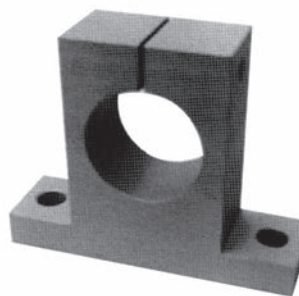
Uchycení vodících tyčí

Typ FGWA

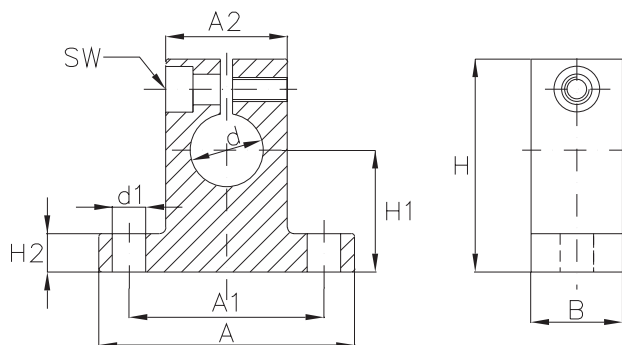


Popis

- Materiál: slitina hliníku



Typ FGWA



| Obj. číslo | d | Rozměry [mm] | | | Montážní rozměry [mm] | | | | | |
|------------|----|--------------|----|-----|-----------------------|------------------|-----|------|------|----|
| | | A | B | H | H1 | A1 $\pm 0,15$ | A2 | H2 | d1 | SW |
| FGWA08 | 8 | 32 | 10 | 27 | 15 | 25 | 16 | 5,0 | 4,5 | 3 |
| FGWA12 | 12 | 42 | 12 | 35 | 20 | 32 | 20 | 5,5 | 5,5 | 3 |
| FGWA16 | 16 | 50 | 16 | 42 | 25 | 40 | 28 | 6,5 | 5,5 | 3 |
| FGWA20 | 20 | 60 | 20 | 50 | 30 | 45 | 32 | 8,0 | 5,5 | 4 |
| FGWA25 | 25 | 74 | 25 | 58 | 35 | 60 | 38 | 9,0 | 6,6 | 5 |
| FGWA30 | 30 | 84 | 28 | 68 | 40 | 68 | 45 | 10,0 | 9,0 | 6 |
| FGWA40 | 40 | 108 | 32 | 86 | 50 | 86 | 56 | 12,0 | 11,0 | 8 |
| FGWA50 | 50 | 130 | 40 | 100 | 60 | 108 | 80 | 14,0 | 11,0 | 8 |
| FGWA60 | 60 | 160 | 48 | 124 | 75 | 132 | 100 | 15,0 | 13,5 | 8 |